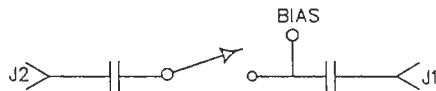


## DESCRIPTION

AMC MODEL SWN-AGRA-1DR-ECL-GAK0 IS AN ULTRA-HIGH SPEED, LOW LOSS SINGLE POLE SINGLE THROW REFLECTIVE SWITCH DESIGNED TO OPERATE OVER THE 0.5 TO 18 GHz FREQUENCY RANGE.

## SPECIFICATIONS

- FREQUENCY RANGE: ..... 0.5 TO 18 GHz
- VSWR: ..... 2.0:1
- INSERTION LOSS: ..... 2.5 dB MAXIMUM
- ISOLATION: ..... 0.5-2 GHz: 45 dB MINIMUM  
2-18 GHz: 70 dB MINIMUM
- SWITCHING SPEED: ..... RISE TIME: 2 nSec MAXIMUM  
FALL TIME: 2 nSec MAXIMUM  
DELAY ON: 10 nSec MAXIMUM  
DELAY OFF: 10 nSec MAXIMUM
- SUPPLY: ..... +5V ± 5% VDC @ 100 mA MAXIMUM  
-5V ± 5% VDC @ 100 mA MAXIMUM
- SIZE: ..... 1.00" L x 1.00" H x 0.50" H



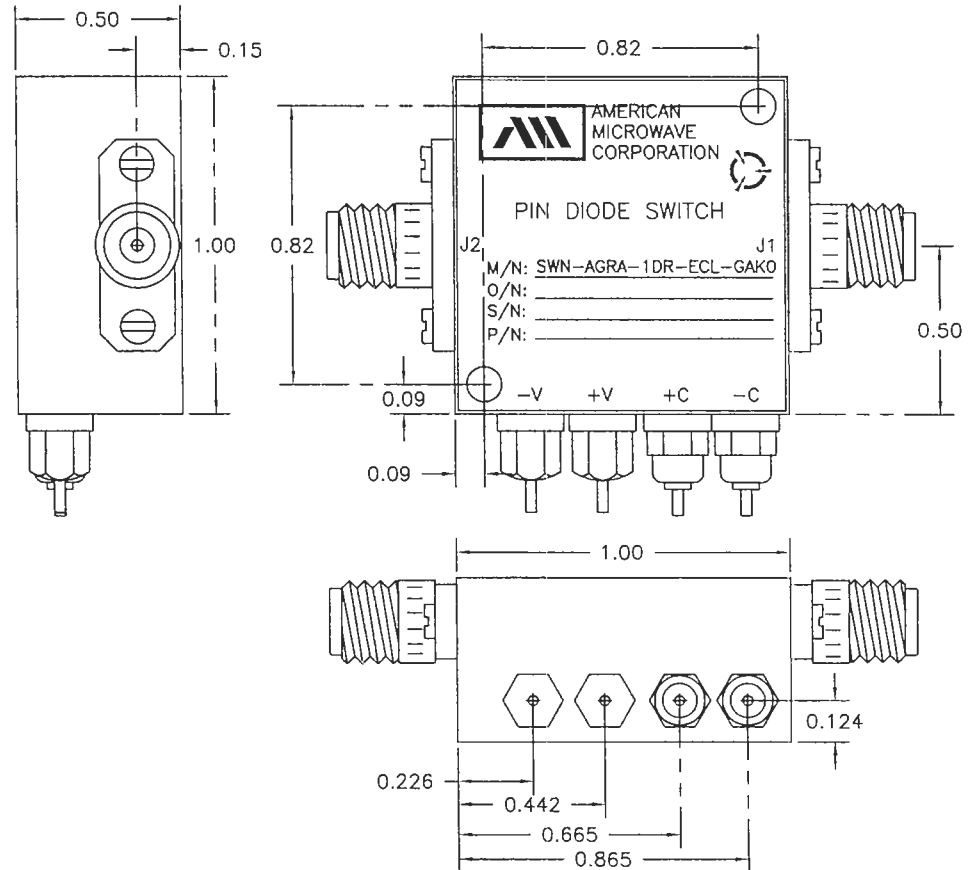
## ENVIRONMENTAL RATINGS

- TEMPERATURE ..... -55°C TO +85°C (OPERATING)  
-65°C TO +125°C (STORAGE)
- HUMIDITY ..... MIL-STD-202F, METHOD 103B COND. B
- SHOCK ..... MIL-STD-202F, METHOD 213B COND. B
- VIBRATION ..... MIL-STD-202F, METHOD 204D COND. B
- ALTITUDE ..... MIL-STD-202F, METHOD 105C COND. B
- TEMPERATURE CYCLE ..... MIL-STD-202F, METHOD 107D COND. A

NOTE: SPECIFICATIONS WILL VARY OVER OPERATING TEMPERATURE  
NOTE: THE ABOVE SPECIFICATIONS ARE SUBJECT TO CHANGE OR REVISION

ALL DIMENSIONS ARE IN INCHES  
TOLERANCES:  
X.XX ±0.020  
X.XXX ±0.010

REVISIONS				
ZONE	REV.	DESCRIPTION	DATE	APPROVED
	--	ORIGINAL RELEASE JOB# 406112N	07/16/04	



## AMERICAN MICROWAVE CORPORATION

7311-G GROVE ROAD  
FREDERICK, MARYLAND 21704 USA  
TEL: 301-662-4700 FAX: 301-662-4938  
WEBSITE: [www.americanmicrowavecorp.com](http://www.americanmicrowavecorp.com)  
E-MAIL: [sales@americanmicrowavecorp.com](mailto:sales@americanmicrowavecorp.com)  
ISO 9001:2000 CERTIFIED



APPROVALS		DATE	TITLE			REV.
DRAWN <i>gdf</i>		7/16/04	PRODUCT FEATURE			
CHECKED <i>LA</i>		8/31/04	SWN-AGRA-1DR-ECL-GAKO			
ISSUED			SIZE	FSCM NO.	DWG NO.	
			A	60483	100-7050	
			SCALE N:S		SHEET 1 OF 3	